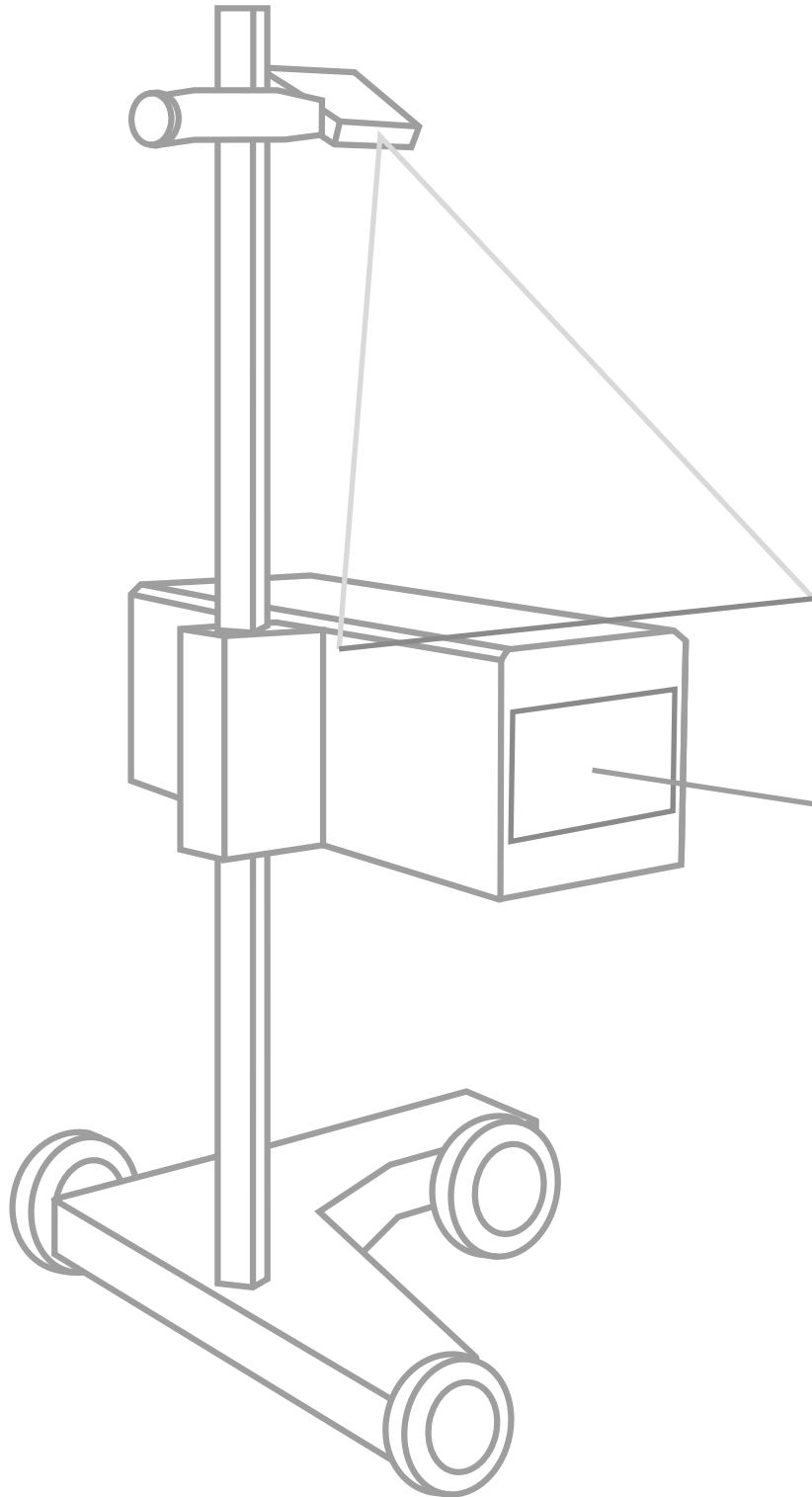




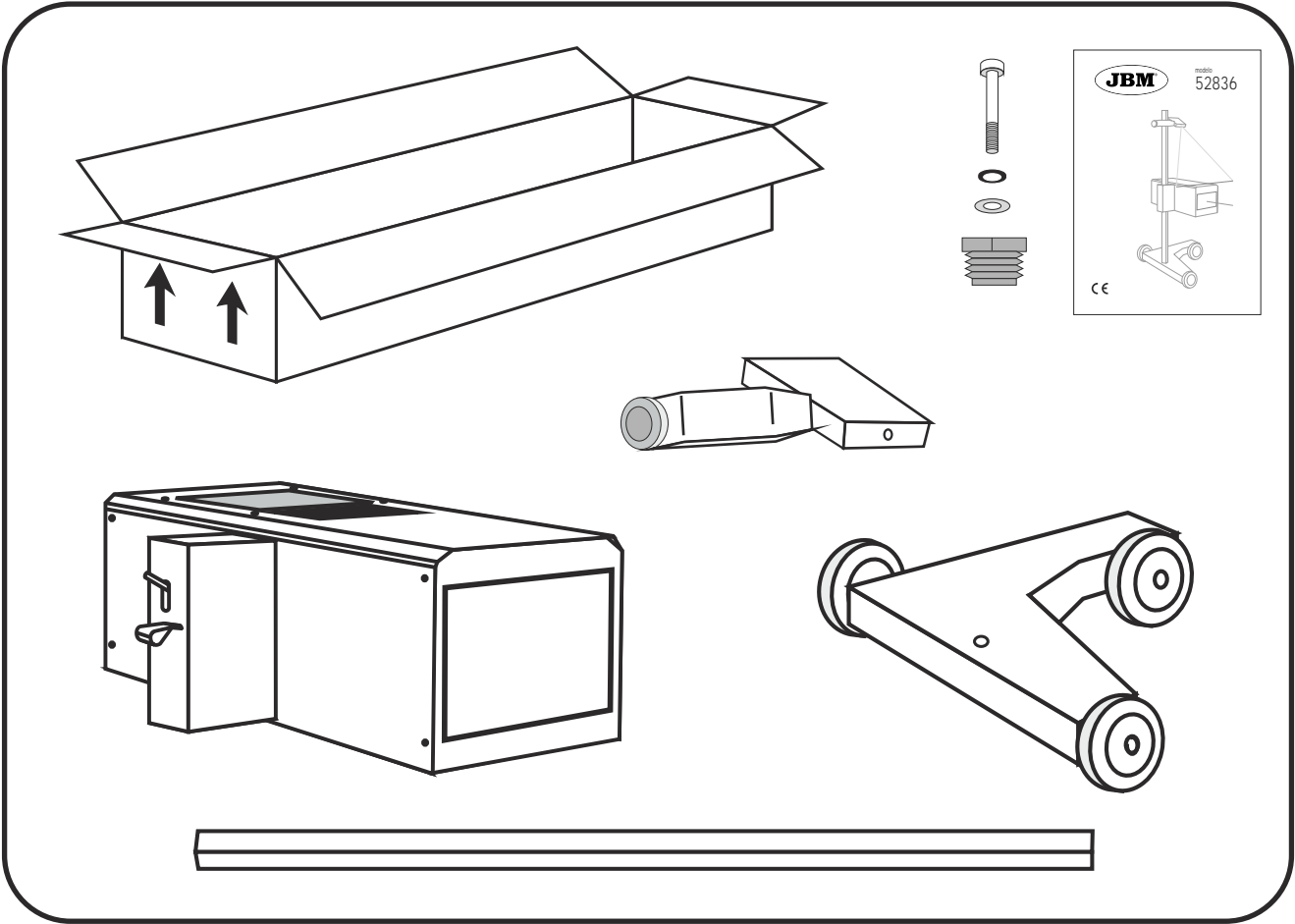
modelo
52836

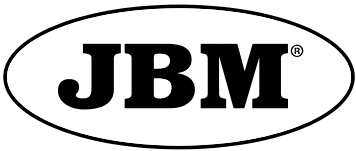


CE

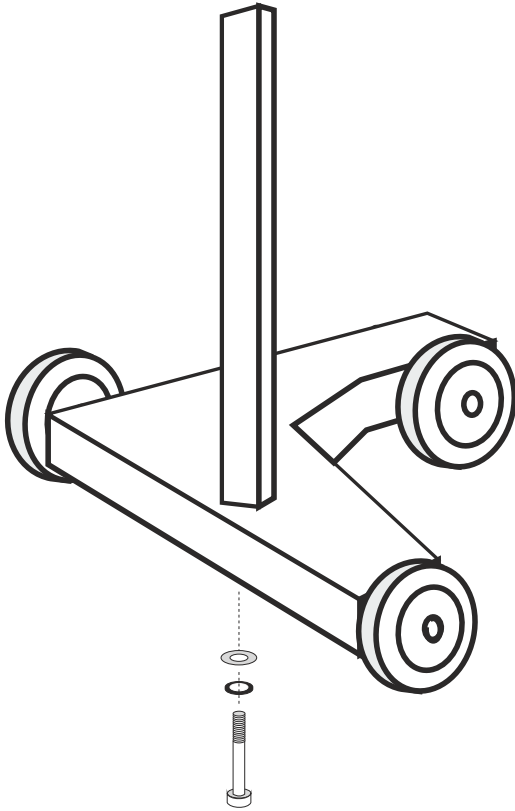


JBM CAMPLLONG, S.L.
Ctra. Aeroport Km 1,6 Nau 2.2
17185 Vilobi d'Onyar - Girona (SPAIN)
VAT: ESB17419292

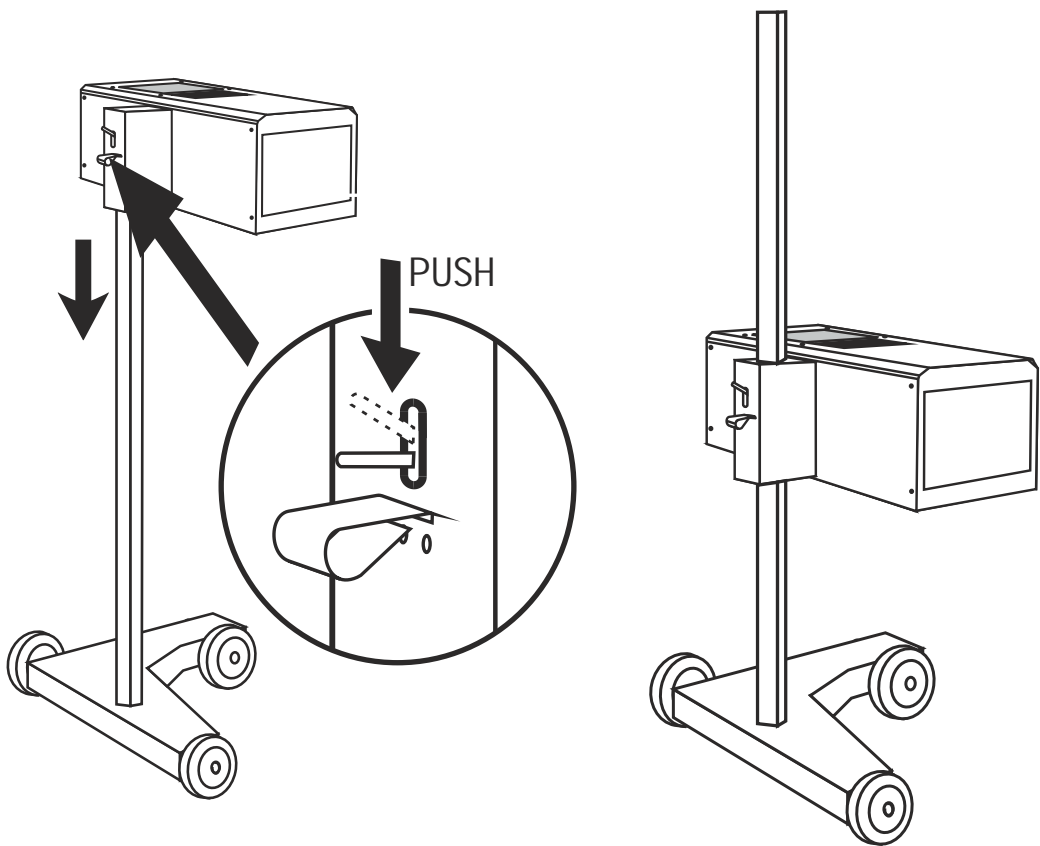




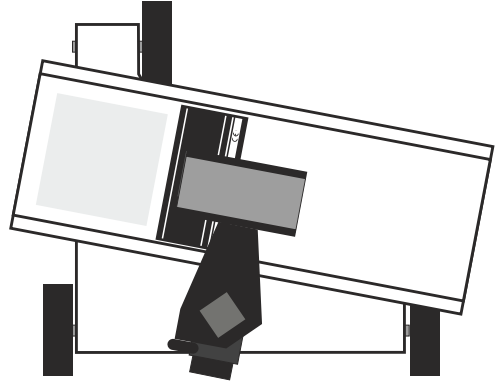
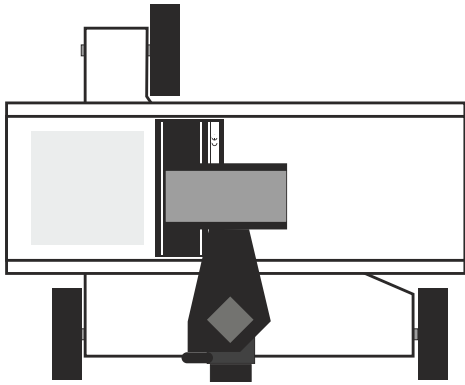
1



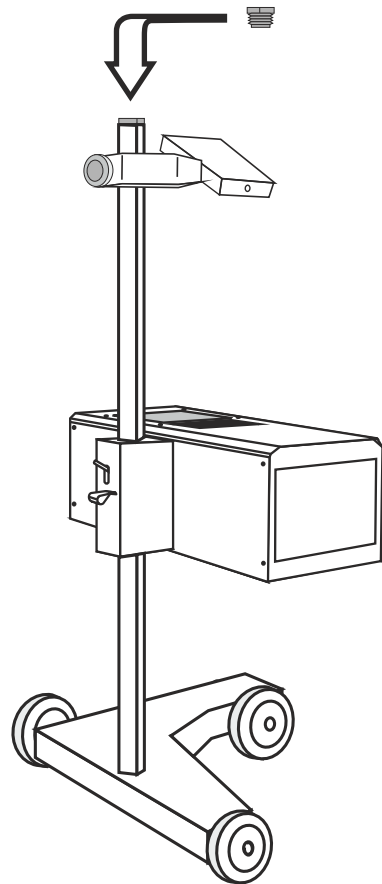
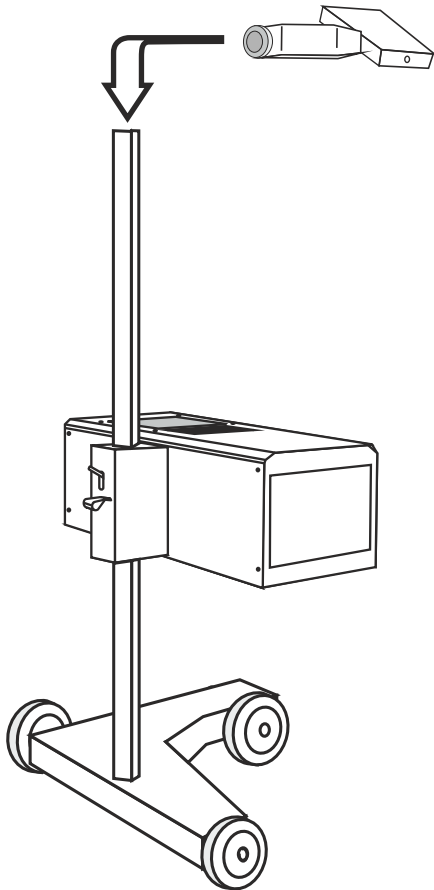
2



3

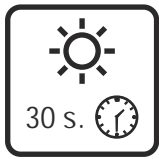
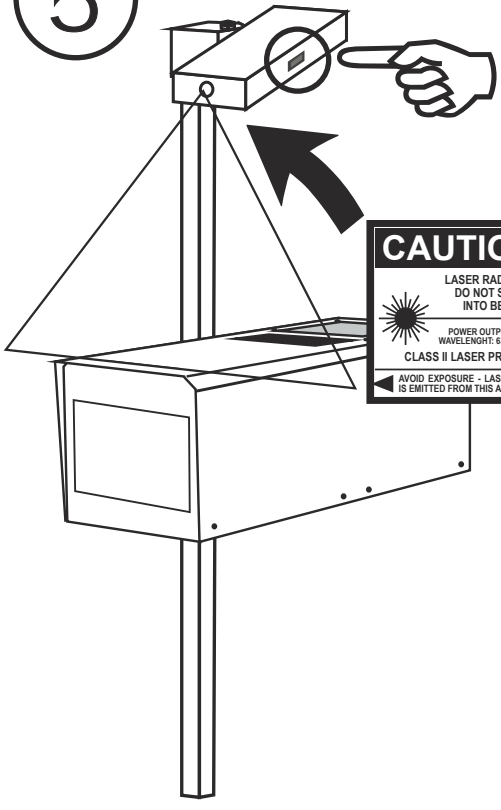


4

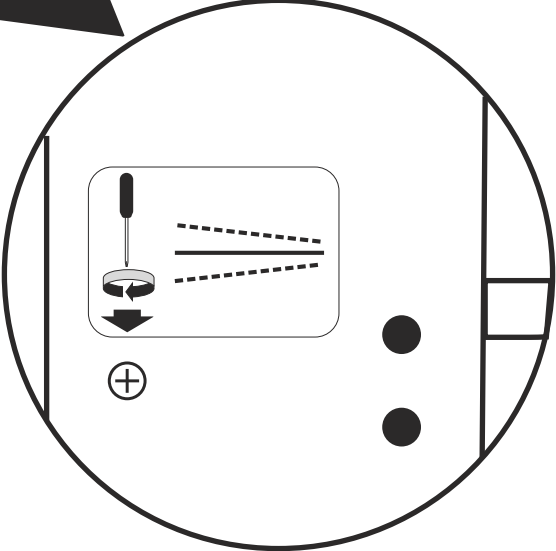
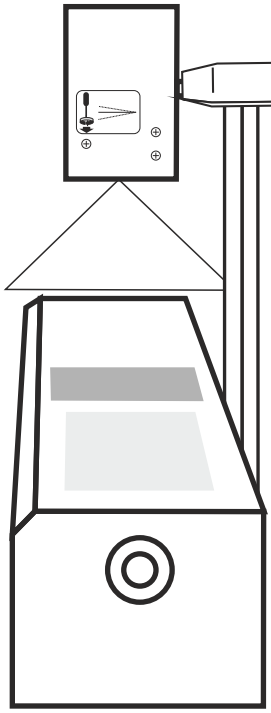
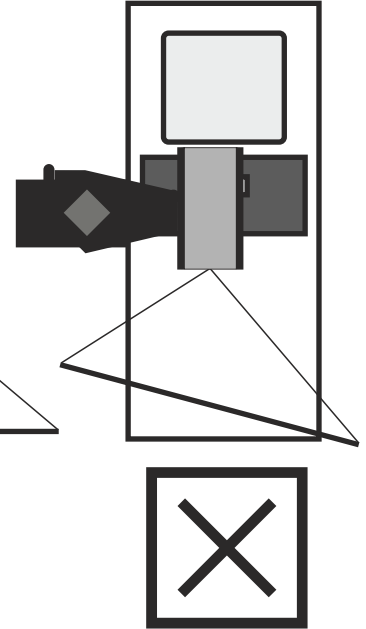
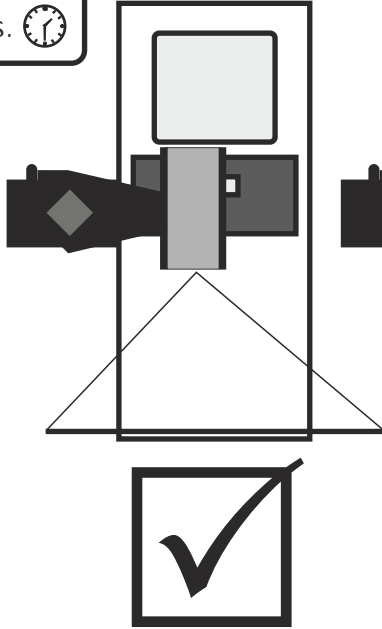


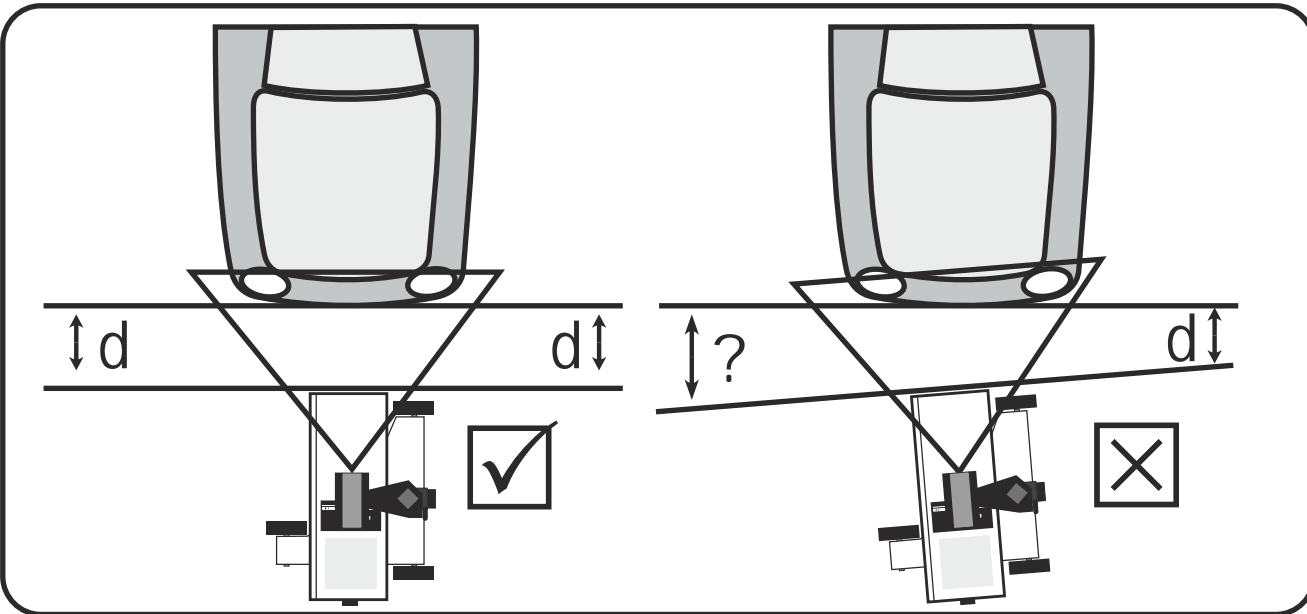
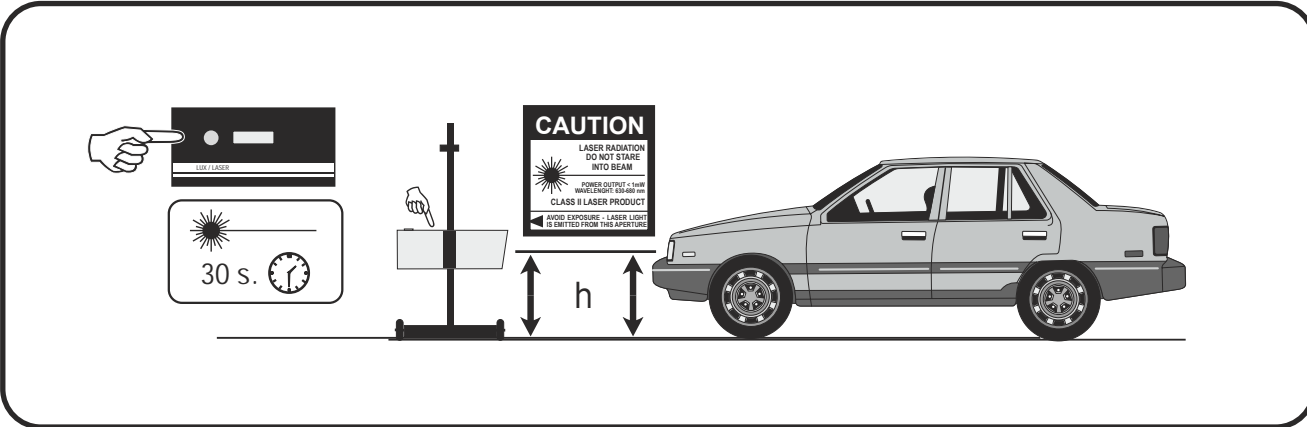
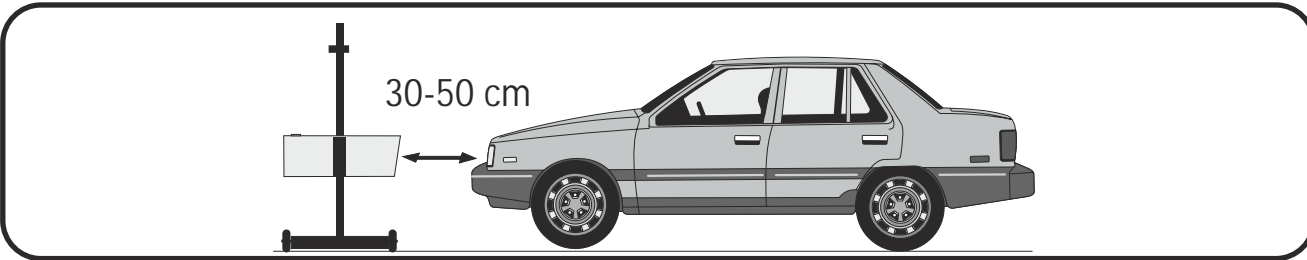
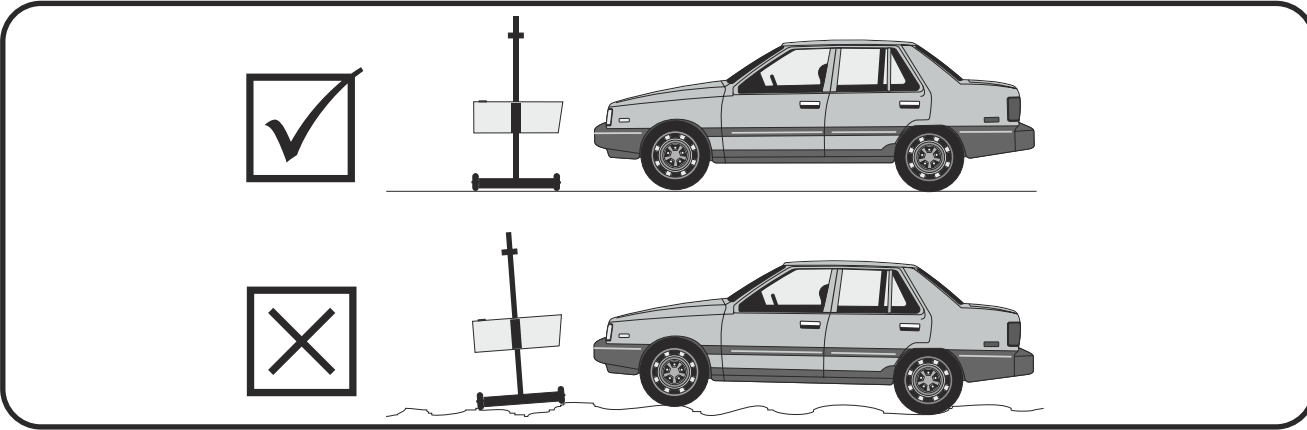
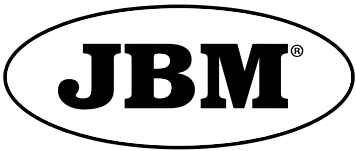


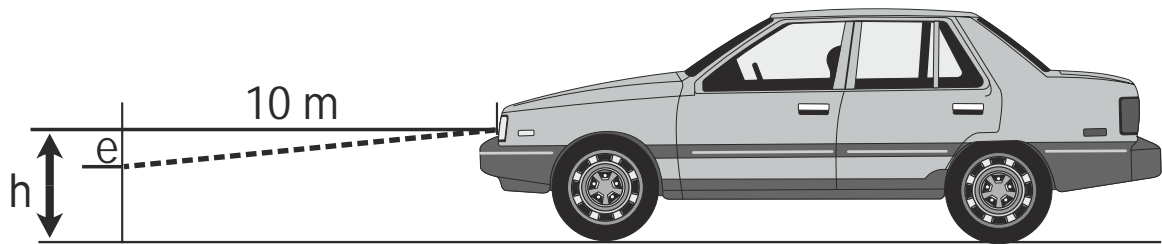
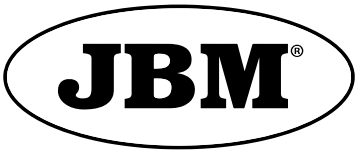
5



CAUTION
LASER RADIATION
DO NOT STARE
INTO BEAM
POWER OUTPUT < 1mW
WAVELENGTH 630-680 nm
CLASS II LASER PRODUCT
AVOID EXPOSURE - LASER LIGHT
IS EMITTED FROM THIS APERTURE







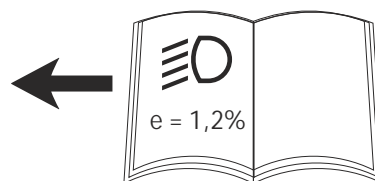
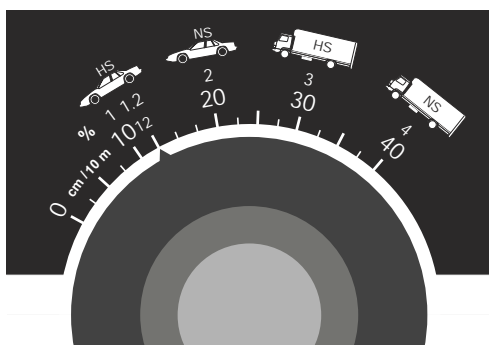
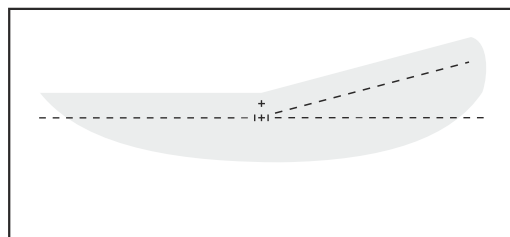
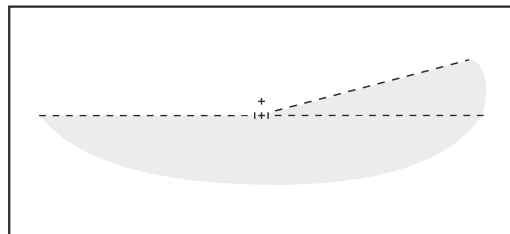
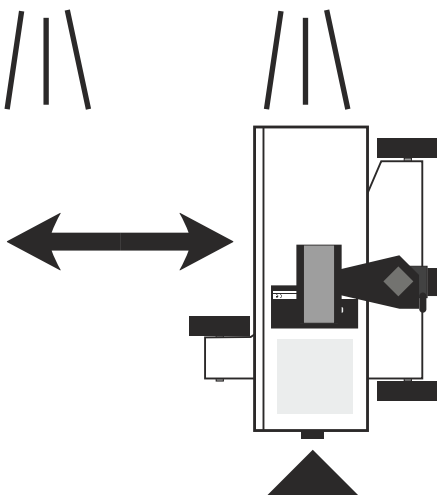
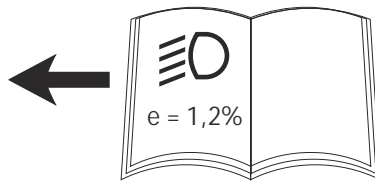
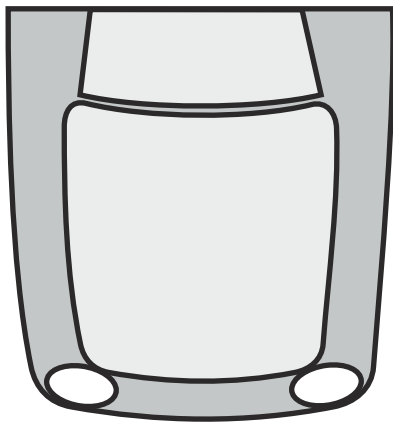
$h < 0,8 \text{ m.}$

$0,8 > h < 1,0 \text{ m.}$

$1,0 > h < 1,2 \text{ m.}$

$h < 1,2 \text{ m.}$

$e =$	5 / 25 cm/10m. -0,5 / -2,5 %	$e =$	5 / 30 cm/10m. -0,5 / -3,0 %	$e =$	10 / 30 cm/10m. -1,0 / -3,0 %	$e =$	15 / 35 cm/10m. -1,5 / -3,5 %
-------	---------------------------------	-------	---------------------------------	-------	----------------------------------	-------	----------------------------------





30 s.

LUX

LUX / LASER

LUX@25m	Kcandela KLUX@1m
10	6,25
20	12,50
30	18,75
40	25
50	31,25
60	37,50
70	43,75
80	50
90	56,25
100	62,50
110	68,75
120	75
130	81,25
140	87,50
150	93,75
160	100
170	106,25
180	112,50
190	118,75
200	125
210	131,25
220	137,50
230	137,50
240	150

L2 L1

$L1 = L2 \pm 20\%$

$L1 = L2 \pm 20\%$

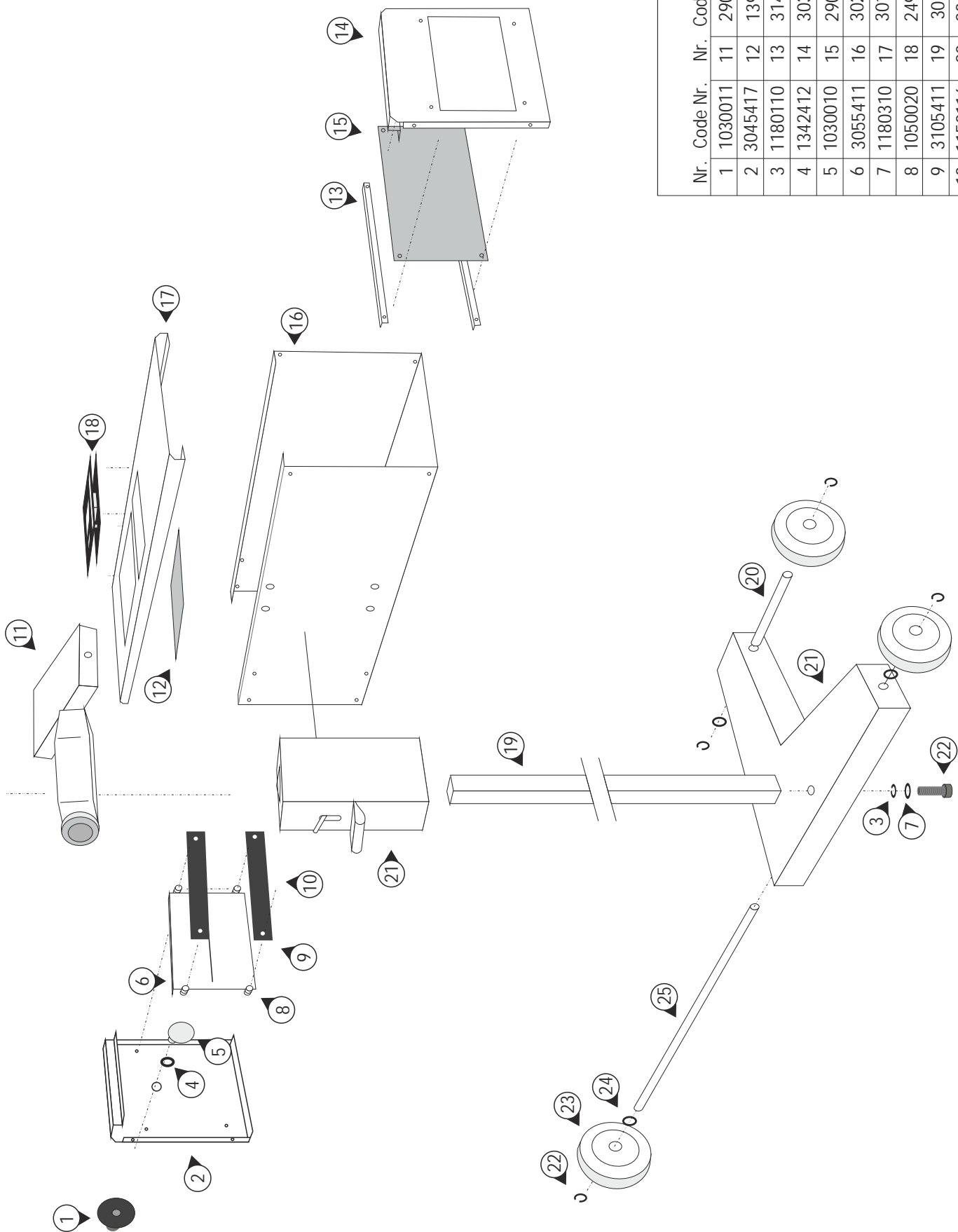
M

2x1,5V. AA

LUX / LASER

9v.

9V. 6F22



Nr.	Code Nr.	Nr.	Code Nr.	Nr.	Code Nr.
1	1030011	11	2905414	21	3065404
2	3045417	12	1392404	22	1150190
3	1180110	13	3145407	23	2750002
4	1342412	14	3035420	24	1180114
5	1030010	15	2905407	25	2345416
6	3055411	16	3025417		
7	1180310	17	3015417		
8	1050020	18	2495419		
9	3105411	19	3075411		
10	1150116	20	2345426		

